



SELECTIVE LEVEL METER      SPM-31  
with TRACKING OSCILLATOR      PSE-31

Appendix ..... BN 4505, Series AH...

Order No. BN 4505/00.87  
Edition 3403 (replaces 3272)  
1.4.82 RV/ALK  
0.25.9.86

Subject to change without notice  
Printed in the United Kingdom

---

**Wandel & Goltermann**  
Electronic Measurement Technology

Series Status of the Diagrams forming the  
Appendix to the Service Manual for the  
SPM-31/PSE-31

---

All circuit and component layout diagrams  
are applicable to instruments of Series AH...

# CONTENTS

---

## INTRODUCTION TO APPENDIX

Pin arrangements of Semi-conductor Devices used in SPM-31/PSE-31

## COMPONENTS LISTS

Parts Mounted on or Forming Part of Front Panel

Rear Panel

Complete Chassis Assembly

Cable Assemblies

A81 Interconnection Board

Spares and Accessories

Note. All other Lists for individual units will be found adjacent or near to the relevant Circuit and Component Layout diagram.

## ILLUSTRATIONS & COMPONENTS LISTS

- Fig. 1 Block Diagram of Complete Instrument, SPM-31/PSE-31
- Fig. 2 Block Diagram of Synthesiser Assembly, (12)
- Fig. 3 Interconnections Diagram
- Fig. 4 Location of units within Instrument
- Fig. 5 Circuit Diagram, Power Supply (104)
- Fig. 6 Component Layout, Power Supply (104)
- Fig. 7 Circuit Diagram, Input Matching unit, (82) and Pre-amplifier/Attenuator (22)
- Fig. 8 Component Layout, Input Matching unit, (82)
- Fig. 9 Component Layout, Pre-amplifier/Attenuator, (22)
- Fig. 10 Circuit Diagram, Mixer 1, (23) ; 4MHz B/P Filter, (24) and Mixer 2/3.1kHz Filter, (79)
- Fig. 11 Component Layout, Mixer 1, (23)
- Fig. 12 Component Layout, 4MHz B/P Filter, (24)
- Fig. 13 Component Layout, Mixer 2/3.1kHz Filter, (79)
- Fig. 14 Circuit Diagram, 24Hz and 1.74kHz Filters, (77)
- Fig. 15 Component Layout, 24Hz and 1.74kHz Filters, (77)
- Fig. 16 Circuit Diagram, I.F. Amplifier/EPRM, (27)
- Fig. 17 Component Layout, I.F. Amplifier/EPRM, (27)
- Fig. 18 Circuit Diagram, Meter and Demodulator, (83)
- Fig. 19 Component Layout, Meter and Demodulator, (83)
- Fig. 20 Component Layout, Frequency Control, (29)
- Fig. 21 Component Layout, Frequency Display, (32)
- Fig. 22 Circuit Diagram, Frequency Control, (29) and Frequency Display (32)

- Fig. 23 Circuit Diagram, Calibration unit, (30)
- Fig. 24 Component Layout, Calibration unit, (30)
- Fig. 25 Component Layout, Divider 2, (34)
- Fig. 26 Component Layout, Divider 1, (33)
- Fig. 27 Circuit Diagram, Divider 1, (33) and Divider 2, (34)
- Fig. 28 Circuit Diagram, Phase Detector, (35)
- Fig. 29 Component Layout, Phase Detector, (35)
- Fig. 30 Circuit Diagram, 4...4.62MHz V.C.O., (36) ; Buffer, (39) and Synthesiser Amplifier, (40)
- Fig. 31 Component Layout, 4...4.62MHz V.C.O., (36)
- Fig. 32 Component Layout, Buffer Amp., (39)
- Fig. 33 Component Layout, Synthesiser Amplifier, (40)
- Fig. 34 Circuit Diagram, 8MHz Crystal Oscillator, (38) and Divider 3, (37)
- Fig. 35 Component Layout, 8MHz Crystal Oscillator, (38)
- Fig. 36 Component Layout, Divider 3, (37)
- Fig. 37 Circuit Diagram, 8.02MHz V.C.O., (41) and 4.01MHz P.L.L., (42)
- Fig. 38 Component Layout, 8.02MHz V.C.O., (41)
- Fig. 39 Component Layout, 4.01MHz P.L.L., (42)
- Fig. 40 Component Layout, PSE-31 Tracking Oscillator, (10)
- Fig. 41 Circuit Diagram, PSE-31 Tracking Oscillator, (10)

## INTRODUCTION TO APPENDIX

---

This Appendix has been produced as a separate publication to provide the service technician with essential information on the construction and circuitry of the instrument. Further servicing and permitted adjustment information is available in the Service Manual which may be obtained from your local W & G agent.

When used with the Service Manual, this Appendix may be conveniently opened at the page required and a circuit or other diagram may be referred to in conjunction with the text of the Service Manual.

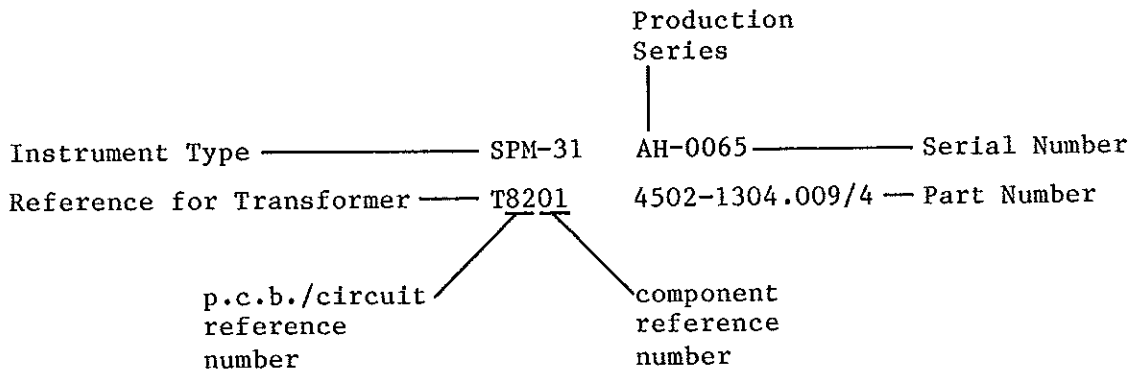
On the following pages will be found full circuit information for the SPM/PSE-31 Level Measuring Set, together with component layout diagrams and parts lists for all the units and sub-assemblies incorporated in a complete instrument.

### Component Identification


Users of this Appendix are reminded of the information regarding the identification of components which may be found in Section 6.2.1 of the Service Manual.

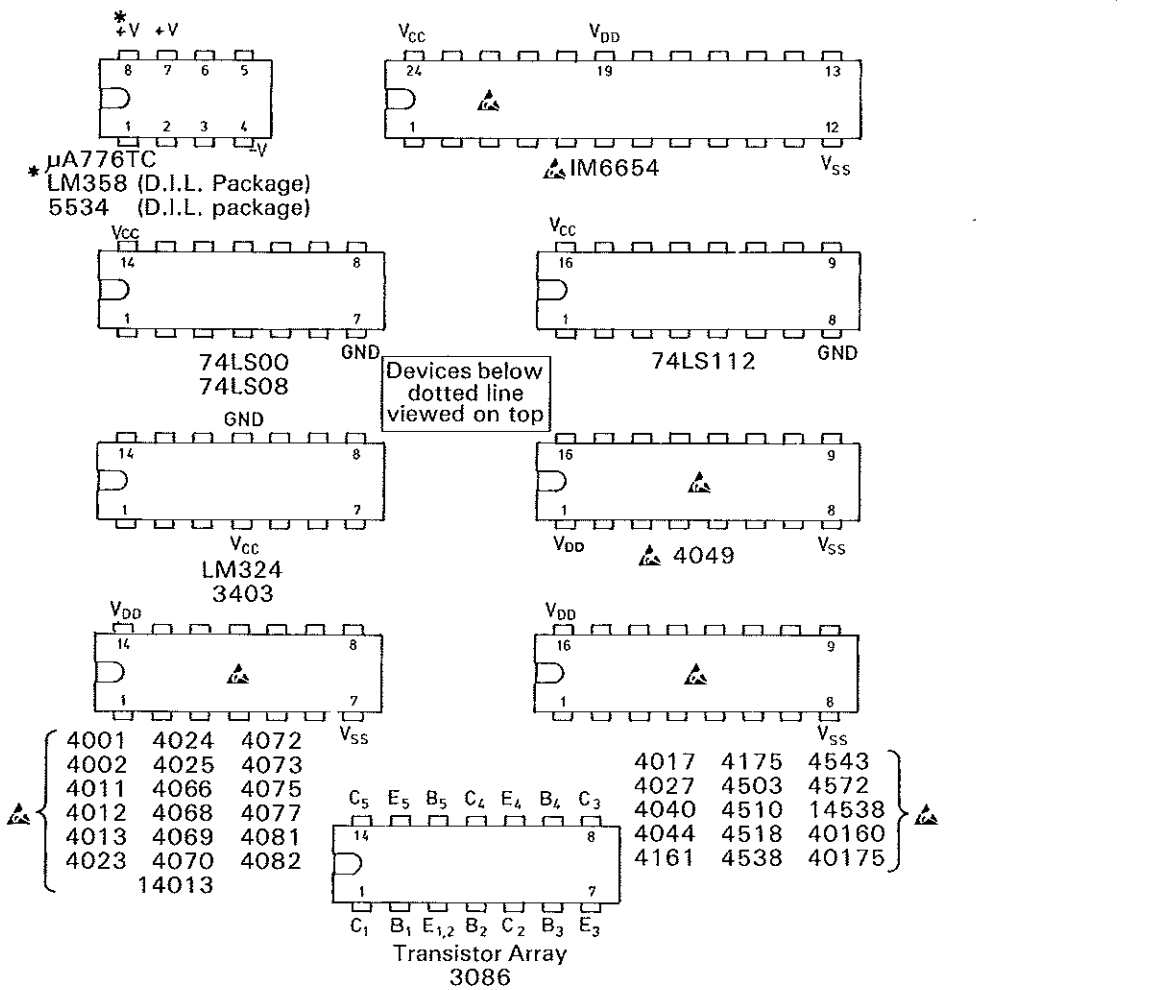
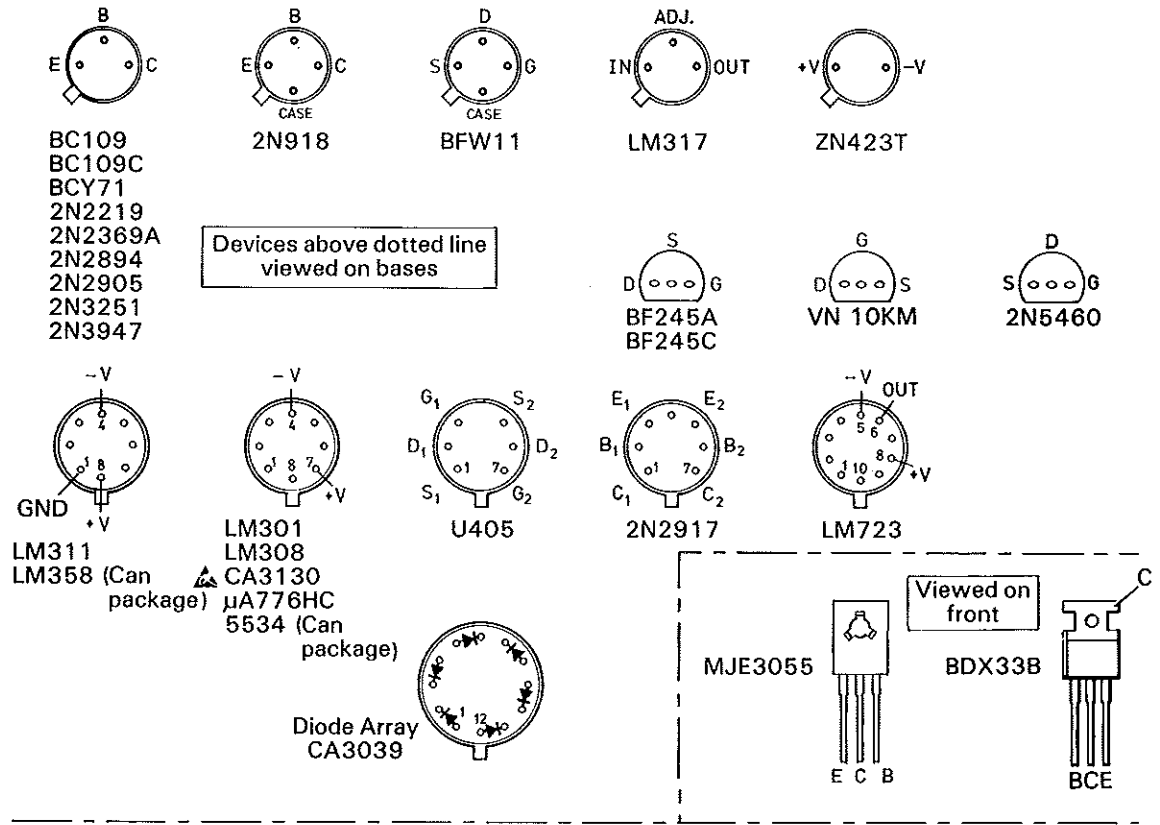
### Ordering Information

When ordering spare parts it is essential to quote the type of instrument and production series, together with the serial number as well as the circuit reference and part number of the particular component required, for example:



### Electrostatic Sensitive Devices

Certain semiconductor devices used within this instrument use CMOS technology and are therefore sensitive to pulses derived from discharges of static electricity. Units incorporating CMOS devices are marked with the symbol:  thus indicating that care should be taken when servicing these units. In the diagram showing the pin arrangements of the semiconductors this symbol has been added to the particular devices for which this warning applies. See Section 6.1.5 in the Service Manual for information regarding the handling of these devices.



Pin arrangements of Semi-conductor Devices used in SPM-31/PSE-31